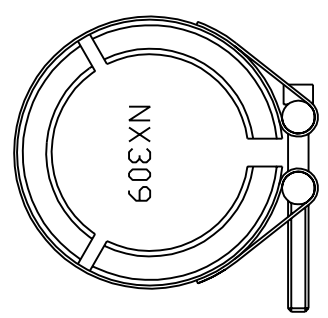
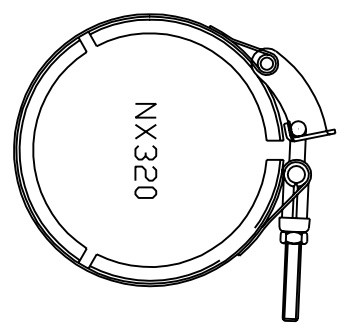
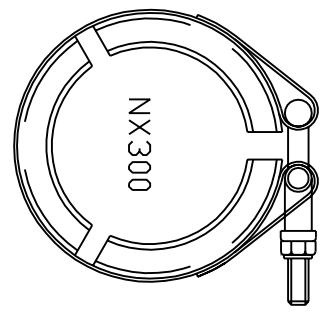
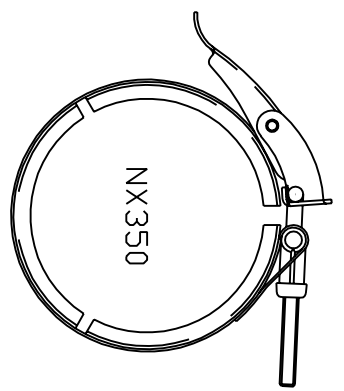
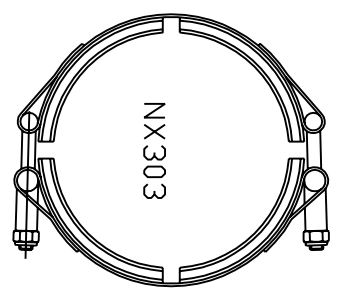
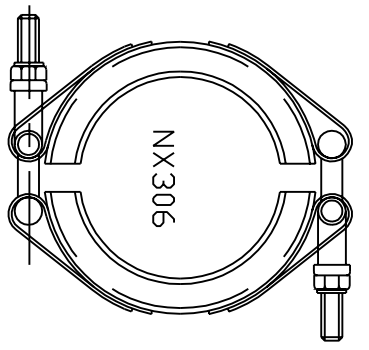


C:\neophix database\drawings\			
Issue No.	Description	Date	Change No.
1	Original Issue	10.12.01	---



CUSTOMER
**Neophix Engineering
 Company Limited**

TITLE
Vee Clamp Styles

TOLERANCES
 GENERAL ±0.25mm
 ANGLES ---
 DRAWN BY: J.J. Driver
 DATE: 10.12.01

DO NOT SCALE
 DRAWING NUMBER: VCS1
 Third Angle Projection
 ISSUE: 1

© Neophix 2000 This Drawing is Copyright and is the property of Neophix Engineering Company Limited. It may not be copied or used for any other purpose other than that for which it is supplied without the express written authority of Neophix Engineering Company Limited.