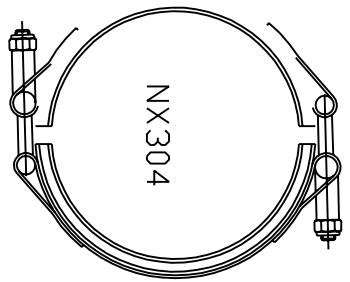
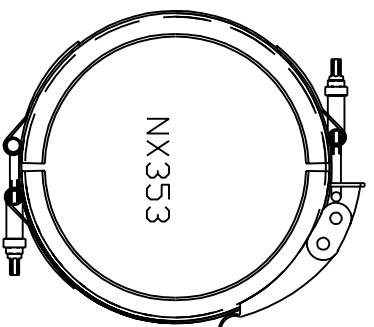
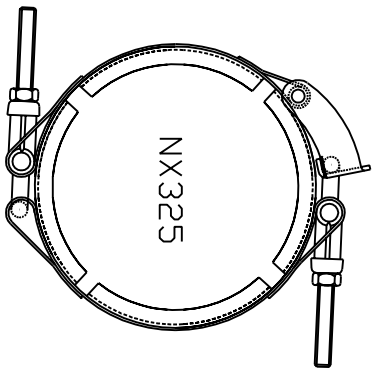
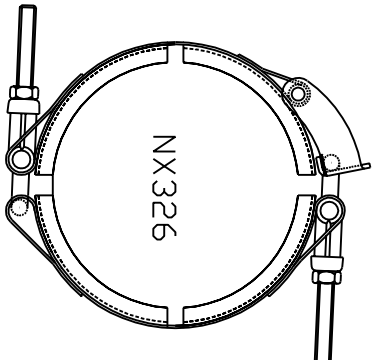
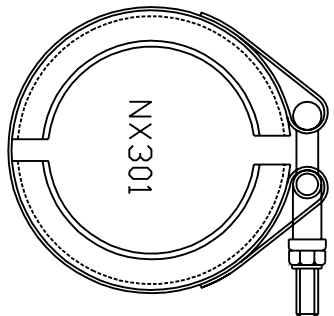
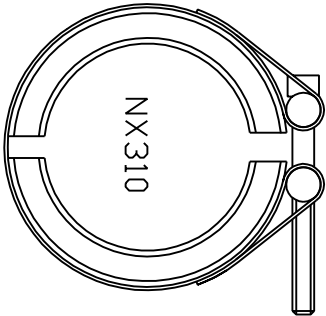
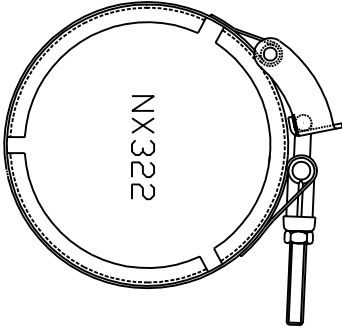
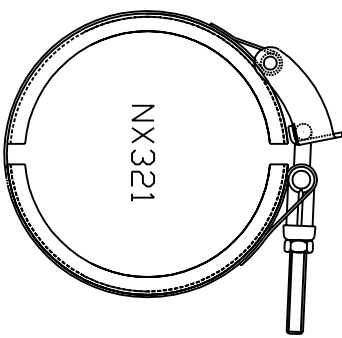
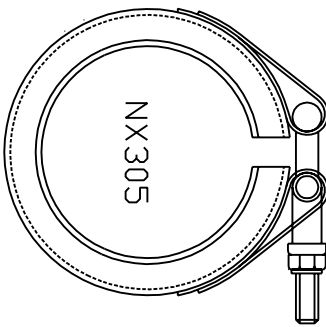
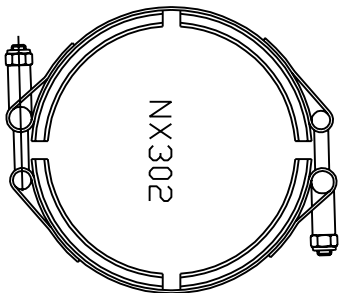


Issue No.	Description	Date	Change No.
1	Original Issue	10.12.01	---



CUSTOMER:

*Neophix Engineering Company Limited*

TITLE:

Vee Clamp Styles

TOLERANCES

GENERAL ±0.25mm

ANGLES

DRAWN BY: J.J. Driver DATE: 10.12.01

DO NOT SCALE

DRAWING NUMBER: VCS1

Third Angle Projection



ISSUE: 1